

# Rack Mount Kit: ST-RMK

## Physical Description

The ST-RMK is a rack mount kit that is capable of holding either one or two CEN Ethernet Modules, SmarTouch STS Expansion Modules, ST-CP Control Processors, or any combination of units in a single rack space. The front extrusion and bracket are provided to occupy the open bay of the ST-RMK so that when only one module (or ST-CP) is installed, no gaps are visible in the rack. The front extrusion and bracket may be installed in either the left or right bay of the ST-RMK. When the ST-RMK accommodates two modules, the extrusion and bracket are not used.

Items 1 through 6 listed below are the supplied components of the ST-RMK. The tools required for installation of the ST-RMK are a #1 Phillips 1/4-inch hex bit, a 1/4-inch hex socket, and an inch-pound torque driver. Follow the installation procedures in the next section.

*Supplied Components*

ITEM	DESCRIPTION	PART NUMBER	QUANTITY
1	Assembly, chassis & front extrusion	AY17489-1	1
2	Assembly, front extrusion & label	AY17490-1	1*
3	Bracket	MTBK02315-1	1*
4	Screw, 4-40 x 1/4"L, steel, pan, phillips, black	SR04-40-0R2500-8	8*
5	Nut, 4-40, hex, steel, zinc	MTPL02390-1	4
6	Washer, lock, steel, internal, #4, zinc	WA04L0-1	4

\* Depending upon number of modules installed, not all items may be required.

## Rack Mount Instructions

### Front Extrusion and Bracket Installation

If two modules (or ST-CPs) are to be installed onto the ST-RMK, skip this procedure and proceed to the next section. If only one module is to be installed, the front extrusion and bracket should be installed into either the left or right bay of the chassis. To install the extrusion and bracket, refer to the diagrams and steps below (installation into the right bay is shown, left bay installation is identical).

*Install Front Extrusion & Bracket*

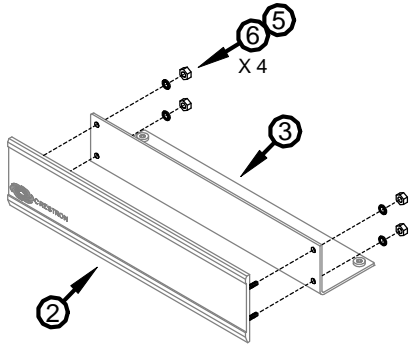


DIAGRAM FOR STEPS 1 & 2

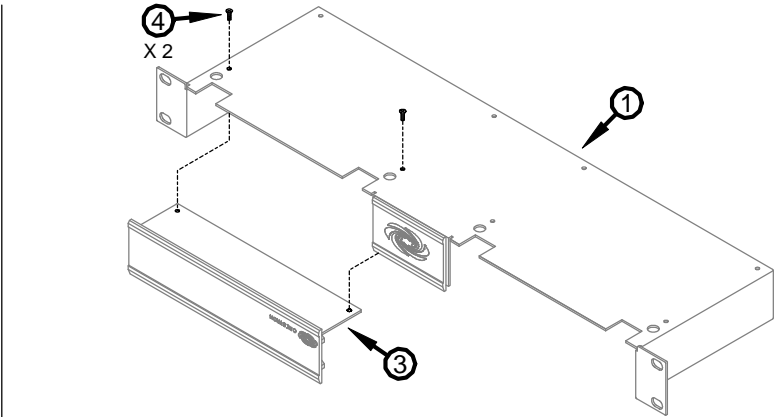


DIAGRAM FOR STEPS 3 - 6

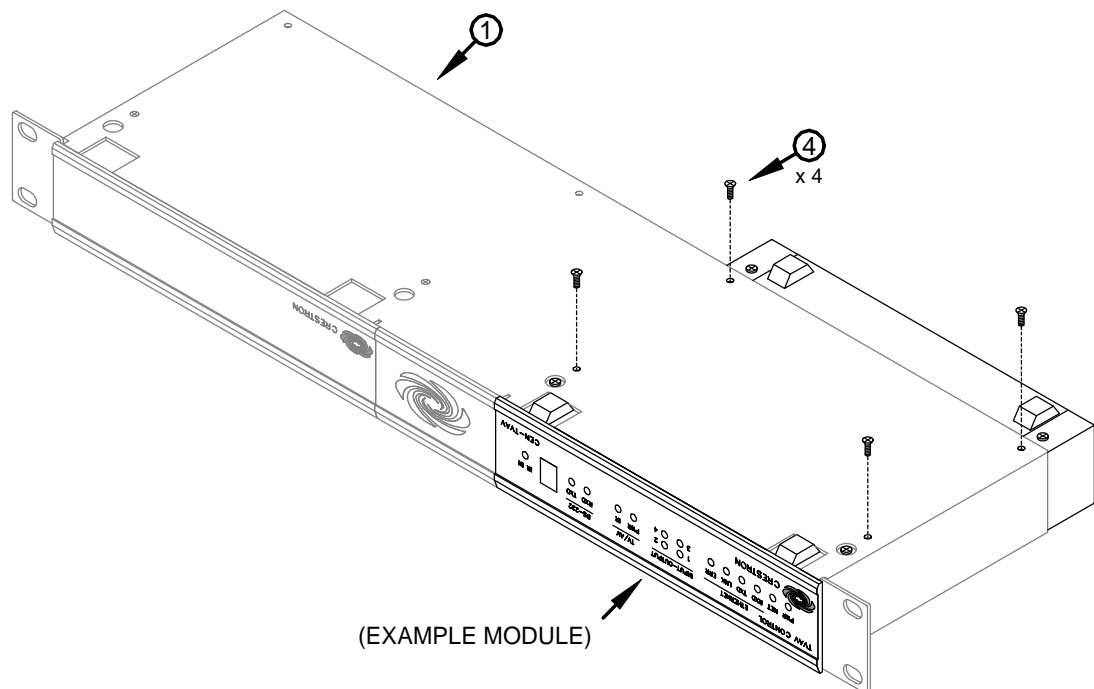
1. With the label on the front extrusion ② properly orientated, position the four threaded studs of the extrusion through the four holes of the bracket ③.
2. Loosely install four lockwashers ⑥ and four hex nuts ⑤ onto the studs of the front extrusion. Using a 1/4-inch hex socket and an inch-pound torque driver, tighten the hex nuts to **8-inch pounds** (0.90 newton-meters) to secure extrusion.
3. Place the chassis ① upside down on a clean surface.
4. Turn front extrusion and bracket upside-down and position into open bay of chassis.
5. Align two screw holes in bracket ③ with holes in the chassis. Using a #1 Phillips 1/4-inch hex bit and an inch-pound torque driver, install two screws ④ and tighten to **8-inch pounds** (0.90 newton-meters) to secure bracket.
6. Return the ST-RMK to its proper orientation and proceed to the next procedure to install a module (or ST-CP) into the ST-RMK.

## Module (or ST-CP) Installation into ST-RMK

Refer to the procedure below and complete the following steps for proper installation of a module (or ST-CP) into the ST-RMK.

1. Place module into chassis ① so that front panel of the module is exposed, the two front rubber feet of the module fit into cutouts in the chassis, and the two rear rubber feet extend from the rear edge.
2. As shown below, keep the module and chassis ① together and place upside down on a clean surface.

*Module Installation*



3. Align screw holes in the chassis ① with holes in the module. Using a #1 Phillips 1/4-inch hex bit and an inch-pound torque driver, install four screws ④ and tighten to **4-inch pounds** (0.45 newton-meters) to secure module.
4. If installing another module, repeat this procedure. If not installing another module, return ST-RMK and module(s) to proper orientation and install into system rack. (Rack mounting screws are not supplied.)

---

# Return and Warranty Policies

## Merchandise Returns / Repair Service

1. No merchandise may be returned for credit, exchange, or service without prior authorization from Crestron. To obtain warranty service for Crestron products, contact the factory and request an RMA (Return Merchandise Authorization) number. Enclose a note specifying the nature of the problem, name and phone number of contact person, RMA number, and return address.
2. Products may be returned for credit, exchange, or service with a Crestron Return Merchandise Authorization (RMA) number. Authorized returns must be shipped freight prepaid to Crestron, Cresskill, N.J., or its authorized subsidiaries, with RMA number clearly marked on the outside of all cartons. Shipments arriving freight collect or without an RMA number shall be subject to refusal. Crestron reserves the right in its sole and absolute discretion to charge a 15% restocking fee, plus shipping costs, on any products returned with an RMA.
3. Return freight charges following repair of items under warranty shall be paid by Crestron, shipping by standard ground carrier. In the event repairs are found to be non-warranty, return freight costs shall be paid by the purchaser.

## Crestron Limited Warranty

Crestron ELECTRONICS, Inc. warrants its Cresnet products, denoted by a "CN" prefix model number, to be free from manufacturing defects in materials and workmanship for a period of three (3) years from the date of shipment to purchaser. Disk drives and any other moving or rotating mechanical parts are covered for a period of one (1) year. Crestron warrants all its other products for a period of one year from the defects mentioned above, excluding touchscreen display components which are covered for 90 days. Incandescent lamps are completely excluded from Crestron's Limited Warranty. Crestron shall, at its option, repair or replace any product found defective without charge for parts or labor. Repaired or replaced equipment and parts supplied under this warranty shall be covered only by the unexpired portion of the warranty.

Crestron shall not be liable to honor warranty terms if the product has been used in any application other than that for which it was intended, or if it has been subjected to misuse, accidental damage, modification, or improper installation procedures. Furthermore, this warranty does not cover any product that has had the serial number altered, defaced, or removed.

This warranty shall be the sole and exclusive remedy to the purchaser. In no event shall Crestron be liable for incidental or consequential damages of any kind (property or economic damages inclusive) arising from the sale or use of this equipment. Crestron makes no other warranties nor authorizes any other party to offer any warranty, expressed or implied, including warranties of merchantability for this product. This warranty statement supersedes all previous warranties.

### Trademark Information

All brand names, product names, and trademarks are the sole property of their respective owners. Windows is a registered trademark of Microsoft Corporation. Windows95, Windows98 and WindowsNT are trademarks of Microsoft Corporation.



### Crestron Electronics, Inc.

15 Volvo Drive  
Rockleigh, NJ 07647  
Tel: 888.CRESTRON  
Fax: 201.767.7576  
[www.crestron.com](http://www.crestron.com)

*Specifications subject  
to change without notice.*

Doc. 5664A  
03.00

---