

# DM-TX-201-S

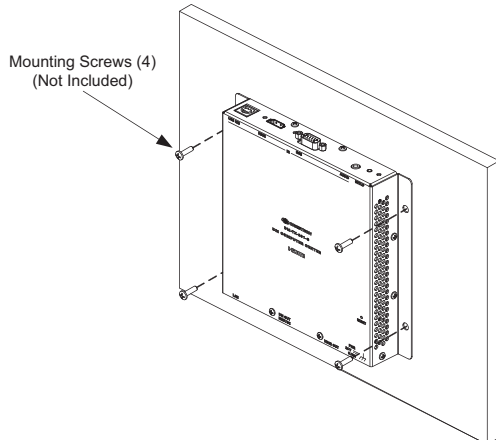
## DigitalMedia 8G™ Fiber Transmitter 201

### 1 Mounting the DM-TX-201-S

Mount the transmitter on a flat surface (such as a wall or ceiling) or on a rack rail as appropriate for your installation.

#### Mounting on a Flat Surface

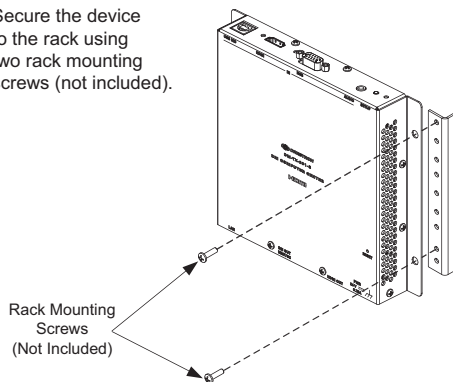
Using four mounting screws (not included), mount the transmitter on a flat surface. Mounting of the transmitter on a wall is shown below.



#### Rack Mounting

Mount the transmitter on the front or rear rail of a rack as follows:

1. Position either the left or right mounting flange of the device so that the holes align with the holes in the rack (mounting of right flange is shown below).
2. Secure the device to the rack using two rack mounting screws (not included).



### 2 Connecting the DM-TX-201-S

#### Connecting the Top Ports

**Connecting to a USB HID Device:** Using a USB cable (not included), connect the **USB HID** port to the USB host interface of a computer or other USB HID-compliant host device.

**Connecting to an HDMI® Audio/Video Source:** Using an HDMI cable (not included), connect the **HDMI IN** port to the HDMI output port of the audio/video source.

**Connecting to an RGB Video Source:** Using a VGA cable (not included), connect the **RGB IN** port to an RGB (VGA) or component (YPbPr) video source.

**Connecting to an Audio Source:** Using an unbalanced 3.5 mm TRS mini phone jack cable (not included), connect the **AUDIO IN** port to an unbalanced audio source.

#### Connecting the Bottom Ports

**Connecting to the LAN:** Using an Ethernet cable (not included), connect the **10BASE-T/100BASE-TX LAN** port to a local network device.

**Connecting to a DigitalMedia™ (DM) Device:** Connect the **DM OUT MMF/SC** port of the transmitter to the DM 8G fiber input of a DM switcher, receiver/room controller, or other DM device. If connecting to a DM switcher, connect the transmitter to the **DM IN MMF/SC** port of a DMC-S/DMC-S-DSP input card of the switcher.

To connect the transmitter to the DM 8G fiber input of a DM device, use CresFiber® or other quality simplex multimode fiber optic cable.

**NOTE:** The maximum supported cable length is 1000 feet (~300 meters).

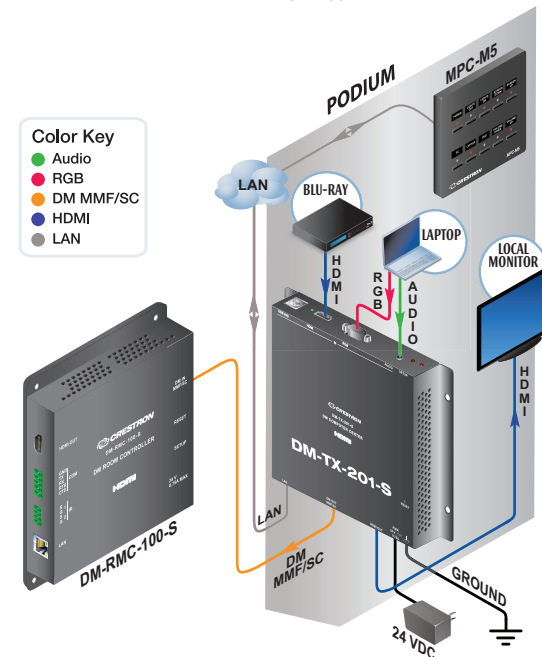
Refer to the latest version of the Crestron® DigitalMedia Design Guide (Doc. 4789) for complete wiring guidelines. It is available from the Crestron Web site at [www.crestron.com](http://www.crestron.com).

**Connecting to an HDMI Audio/Video Input Device:** Using an HDMI cable (not included), connect the **HDMI OUT** port to the HDMI input port of the receiving device.

**Connecting the 24 VDC Power Jack:** Connect the **24 VDC** power jack to the external power pack included with the transmitter.

**Connecting the Ground:** Connect the chassis ground lug to earth ground (building steel).

DM-TX-201-S Connections in a Sample Application



### 3 Setting the IP Address

Setup of the IP address of the DM-TX-201-S depends on the way the transmitter is configured within the DigitalMedia system:

- If the transmitter is connected to a receiver/room controller, the transmitter uses its own configuration settings. The transmitter ships with DHCP enabled; however, the default IP address can be assigned by holding down the **SETUP** button while the unit boots up. The default IP address is 192.168.1.237. The default IP address overwrites the current setting.
- If the transmitter is connected to a DM switcher, the transmitter is automatically configured by the switcher.

If manual configuration of the IP address of the transmitter is desired, use Crestron Toolbox™ to set the IP address.

For details, refer to the latest version of the **DM-TX-201-S** Operations and Installation Guide, Doc. 7068.

**QUICKSTART DOC. 7110A (2029054) 09.10**

[www.crestron.com](http://www.crestron.com)  
©2010 Specifications subject to change without notice.

888.273.7876 | 201.767.3400  
Crestron is a registered trademark of Crestron Electronics, Inc. DigitalMedia 8G, DigitalMedia, and Crestron Toolbox are trademarks of Crestron Electronics, Inc. HDMI, the HDMI Logo, and High-Definition Multimedia Interface are trademarks or registered trademarks of HDMI Licensing LLC in the United States and other countries.

